

Standard White Line



STANDARD WHITE FEATURES:

- Fluorescent lighting
- LED lighting available for an additional \$85 per showcase
- Aluminum frame
- Matte white formica exterior
- Solid sides
- Sliding doors with lock (no mirrors)
- Rear storage area with lock in half and quarter vision cases
- Available in 4', 5' and 6' lengths and corner cases
- 38" high and 20" deep
- Showcases are available in full, half and quarter vision
- Corner cases are available in half and quarter vision only

SIZE	QUANTITY			ADVANCED PRICE	PRICE FOR ORDERS RECEIVED AFTER 06/12/2026	SHOW SITE PRICE	TOTAL
	FULL VISION	HALF VISION	QUARTER VISION				
4 FOOT				\$415.00	\$490.00	\$615.00	
5 FOOT				\$415.00	\$490.00	\$615.00	
6 FOOT				\$415.00	\$490.00	\$615.00	
34" CORNER	X			\$430.00	\$505.00	\$630.00	

Add \$85.00 per showcase for LED lighting \$ _____

SUBTOTAL \$ _____

8.75% SALES TAX \$ _____

TOTAL DUE \$ _____

**ONLINE ORDERING
 AVAILABLE**
 VISIT AMERICANFIXTURE.COM

COMPANY NAME _____

BOOTH NUMBER _____

BOOTH SIZE _____

ORDERS AND BOOTH LAYOUT DUE BY JUNE 12, 2026

American Fixture & Display Corp.

Phone: (718) 463-2176 • Fax: (718) 463-4302

Email: orders@americanfixture.com • Web: americanfixture.com

Please complete company name, credit card information and booth layout located on the final pages. This is required to process your order.

Please note that we do not offer refunds or exchanges once items have been reserved or delivered.

Please note: Telephone orders not accepted.

CASES ARE RENTED FOR DISPLAY PURPOSES ONLY AND WE DO NOT WARRANT THE SAFETY OR SECURITY THEREOF. WE ARE NOT LIABLE FOR CONTENTS, DAMAGE OR BREAKAGE AFTER CASES HAVE BEEN DELIVERED.

Designer Line



DESIGNER LINE FEATURES:

- Fluorescent lighting
- Halogen lighting available for an additional \$50 per showcase
- LED lighting available for an additional \$85 per showcase
- Aluminum frame
- Textured designer gray formica exterior
- Glass sides
- Mirrored sliding doors with lock
- Rear storage area with lock in half and quarter vision only
- Available in 4', 5' and 6' lengths and corner cases
- 39" high and 20" deep
- Showcases are available in full, half and quarter vision
- Corner cases are available in half and quarter vision only

SIZE	QUANTITY			ADVANCED PRICE	PRICE FOR ORDERS RECEIVED AFTER 06/12/2026	SHOW SITE PRICE	TOTAL
	FULL VISION	HALF VISION	QUARTER VISION				
4 FOOT				\$450.00	\$525.00	\$650.00	
5 FOOT				\$450.00	\$525.00	\$650.00	
6 FOOT				\$450.00	\$525.00	\$650.00	
34" CORNER	X			\$465.00	\$540.00	\$665.00	
42" CORNER	X	X		\$485.00	\$560.00	\$685.00	

Add \$50.00 per showcase for Halogen lighting \$ _____

Add \$85.00 per showcase for LED lighting \$ _____

Add \$95.00 per showcase for **Shelf Lights** \$ _____
(Available for full & half vision only)

SUBTOTAL \$ _____

8.75% SALES TAX \$ _____

TOTAL DUE \$ _____

**ONLINE ORDERING
AVAILABLE**
VISIT AMERICANFIXTURE.COM

COMPANY NAME _____

BOOTH NUMBER _____

BOOTH SIZE _____

ORDERS AND BOOTH LAYOUT DUE BY JUNE 12, 2026

American Fixture & Display Corp.

Phone: (718) 463-2176 • Fax: (718) 463-4302

Email: orders@americanfixture.com • Web: americanfixture.com

Please complete company name, credit card information and booth layout located on the final pages. This is required to process your order.

Please note that we do not offer refunds or exchanges once items have been reserved or delivered.

Please note: Telephone orders not accepted.

CASES ARE RENTED FOR DISPLAY PURPOSES ONLY AND WE DO NOT WARRANT THE SAFETY OR SECURITY THEREOF. WE ARE NOT LIABLE FOR CONTENTS, DAMAGE OR BREAKAGE AFTER CASES HAVE BEEN DELIVERED.

Deluxe Line



DELUXE LINE FEATURES:

- Fluorescent lighting
- LED lighting available for an additional \$85 per showcase
- Brushed gold frame
- Glossy black formica exterior
- Glass sides
- Mirrored sliding doors with lock
- Rear storage area with lock
- Available in 4', 5' and 6' lengths and corner cases
- 38" high and 20" deep
- Showcases and corner cases available in half vision and quarter vision only

SIZE	QUANTITY		ADVANCED PRICE	PRICE FOR ORDERS RECEIVED AFTER 06/12/2026	SHOW SITE PRICE	TOTAL
	HALF VISION	QUARTER VISION				
4 FOOT			\$475.00	\$550.00	\$675.00	
5 FOOT			\$475.00	\$550.00	\$675.00	
6 FOOT			\$475.00	\$550.00	\$675.00	
34" CORNER			\$500.00	\$575.00	\$700.00	

Add \$85.00 per showcase for LED lighting \$ _____

Add \$95.00 per showcase for **Shelf Lights** \$ _____
(Available for half vision only)

SUBTOTAL \$ _____

8.75% SALES TAX \$ _____

TOTAL DUE \$ _____

COMPANY NAME _____

BOOTH NUMBER _____

BOOTH SIZE _____

**ONLINE ORDERING
AVAILABLE**
VISIT AMERICANFIXTURE.COM

ORDERS AND BOOTH LAYOUT DUE BY JUNE 12, 2026

American Fixture & Display Corp.

Phone: (718) 463-2176 • Fax: (718) 463-4302

Email: orders@americanfixture.com • Web: americanfixture.com

Please complete company name, credit card information and booth layout located on the final pages. This is required to process your order.

Please note that we do not offer refunds or exchanges once items have been reserved or delivered.

Please note: Telephone orders not accepted.

CASES ARE RENTED FOR DISPLAY PURPOSES ONLY AND WE DO NOT WARRANT THE SAFETY OR SECURITY THEREOF. WE ARE NOT LIABLE FOR CONTENTS, DAMAGE OR BREAKAGE AFTER CASES HAVE BEEN DELIVERED.

Elite Line



ELITE LINE FEATURES:

- Halogen lighting
- LED lighting available for an additional \$60 per showcase
- Brushed gold frame
- Verdigris formica exterior
- Glass sides
- Mirrored sliding doors with lock
- Rear storage area with lock
- Available in 4', 5' and 6' lengths and corner cases
- 39" high and 20" deep
- Showcases and corner cases are available in half vision and quarter vision only

SIZE	QUANTITY		ADVANCED PRICE	PRICE FOR ORDERS RECEIVED AFTER 06/12/2026	SHOW SITE PRICE	TOTAL
	HALF VISION	QUARTER VISION				
4 FOOT			\$490.00	\$565.00	\$690.00	
5 FOOT			\$490.00	\$565.00	\$690.00	
6 FOOT			\$490.00	\$565.00	\$690.00	
34" CORNER			\$515.00	\$590.00	\$715.00	

Add \$60.00 per showcase for LED lighting \$ _____

Add \$95.00 per showcase for Shelf Lights \$ _____
 (Available for half vision only)

SUBTOTAL \$ _____

8.75% SALES TAX \$ _____

TOTAL DUE \$ _____

COMPANY NAME _____

BOOTH NUMBER _____

BOOTH SIZE _____

**ONLINE ORDERING
 AVAILABLE**
 VISIT AMERICANFIXTURE.COM

ORDERS AND BOOTH LAYOUT DUE BY JUNE 12, 2026

American Fixture & Display Corp.

Phone: (718) 463-2176 • Fax: (718) 463-4302

Email: orders@americanfixture.com • Web: americanfixture.com

Please complete company name, credit card information and booth layout located on the final pages. This is required to process your order.

Please note that we do not offer refunds or exchanges once items have been reserved or delivered.

Please note: Telephone orders not accepted.

CASES ARE RENTED FOR DISPLAY PURPOSES ONLY AND WE DO NOT WARRANT THE SAFETY OR SECURITY THEREOF. WE ARE NOT LIABLE FOR CONTENTS, DAMAGE OR BREAKAGE AFTER CASES HAVE BEEN DELIVERED.

Ultra Line



BLACK/FULL VISION SHOWN HERE

ULTRA LINE FEATURES:

- LED lighting available in:
 - 3000K Yellow
 - 6000K White
- Aluminum frame
- Black or matte white exterior
- Glass sides
- Glass sliding doors with lock
- Rear storage area with lock available on half and quarter vision showcases only
- Available in 4', 5', and 6' lengths and corner cases
- 41½" high and 20" deep (48" corner is 27½" deep)
- Showcases and corner cases are available in full vision, half vision, and quarter vision

SIZE	QUANTITY			BLACK or WHITE	3000K or 6000K	ADVANCED PRICE	PRICE FOR ORDERS RECEIVED AFTER 06/12/2026	SHOW SITE PRICE	TOTAL
	FULL VISION	HALF VISION	QUARTER VISION						
4 FOOT						\$575.00	\$650.00	\$775.00	
5 FOOT						\$575.00	\$650.00	\$775.00	
6 FOOT						\$575.00	\$650.00	\$775.00	
34" CORNER						\$595.00	\$670.00	\$795.00	
48" CORNER						\$615.00	\$690.00	\$815.00	

Add \$95.00 per showcase for **Shelf Lights** \$ _____
(Available for full & half vision only)

SUBTOTAL \$ _____

8.75% SALES TAX \$ _____

TOTAL DUE \$ _____

COMPANY NAME _____

BOOTH NUMBER _____

BOOTH SIZE _____

ONLINE ORDERING AVAILABLE
VISIT AMERICANFIXTURE.COM

ORDERS AND BOOTH LAYOUT DUE BY JUNE 12, 2026

American Fixture & Display Corp.

Phone: (718) 463-2176 • Fax: (718) 463-4302

Email: orders@americanfixture.com • Web: americanfixture.com

Please complete company name, credit card information and booth layout located on the final pages. This is required to process your order.

Please note that we do not offer refunds or exchanges once items have been reserved or delivered.

Please note: Telephone orders not accepted.

CASES ARE RENTED FOR DISPLAY PURPOSES ONLY AND WE DO NOT WARRANT THE SAFETY OR SECURITY THEREOF. WE ARE NOT LIABLE FOR CONTENTS, DAMAGE OR BREAKAGE AFTER CASES HAVE BEEN DELIVERED.

Accent Cube



WHITE
SHOWN HERE

WHITE or DESIGNER LINES

- Aluminum frame
- Halogen lighting
- LED lighting available for an additional \$45
- Standard white or textured gray formica exterior
- 18" wide x 18" deep x 70" high
- 18" wide x 18" deep x 18" high glass display area
- Hinged frameless glass door with lock
- Storage area with lock

DELUXE or ELITE LINES

- Brushed gold frame
- Halogen lighting
- LED lighting available for an additional \$45
- Glossy black or verdigris formica exterior
- 18" wide x 18" deep x 70" high
- 18" wide x 18" deep x 18" high glass display area
- Hinged frameless glass door with lock
- Storage area with lock



DELUXE
SHOWN HERE

STYLE	QUANTITY	ADVANCED PRICE	PRICE FOR ORDERS RECEIVED AFTER 06/12/2026	SHOW SITE PRICE	TOTAL
STANDARD WHITE		\$450.00	\$525.00	\$650.00	
DESIGNER		\$450.00	\$525.00	\$650.00	
DELUXE		\$450.00	\$525.00	\$650.00	
ELITE		\$450.00	\$525.00	\$650.00	

Add \$45.00 per accent cube for LED lighting \$ _____

SUBTOTAL \$ _____

8.75% SALES TAX \$ _____

TOTAL DUE \$ _____

COMPANY NAME _____

BOOTH NUMBER _____

BOOTH SIZE _____

**ONLINE ORDERING
 AVAILABLE**
 VISIT AMERICANFIXTURE.COM

ORDERS AND BOOTH LAYOUT DUE BY JUNE 12, 2026

American Fixture & Display Corp.

Phone: (718) 463-2176 • Fax: (718) 463-4302

Email: orders@americanfixture.com • Web: americanfixture.com

Please complete company name, credit card information and booth layout located on the final pages. This is required to process your order.

Please note that we do not offer refunds or exchanges once items have been reserved or delivered.

Please note: Telephone orders not accepted.

CASES ARE RENTED FOR DISPLAY PURPOSES ONLY AND WE DO NOT WARRANT THE SAFETY OR SECURITY THEREOF. WE ARE NOT LIABLE FOR CONTENTS, DAMAGE OR BREAKAGE AFTER CASES HAVE BEEN DELIVERED.

Tower



CHOICES:

- **STANDARD WHITE** Aluminum frame with a matte white formica exterior
- **DESIGNER** Aluminum frame with a textured gray formica exterior
- **DELUXE** Brushed gold frame with a glossy black formica exterior
- **ELITE** Brushed gold frame with a verdigris formica exterior

FEATURES:

- Halogen lighting
- LED lighting available for an additional \$45 per tower
- 6" canopy
- 3 adjustable glass shelves
- Clear glass on four sides
- Hinged framed door with lock
- 20" wide x 20" deep x 80" high
- 20" wide x 20" deep x 54" high glass display area



STYLE	QUANTITY	ADVANCED PRICE	PRICE FOR ORDERS RECEIVED AFTER 06/12/2026	SHOW SITE PRICE	TOTAL
STANDARD WHITE		\$455.00	\$530.00	\$655.00	
DESIGNER		\$455.00	\$530.00	\$655.00	
DELUXE		\$455.00	\$530.00	\$655.00	
ELITE		\$455.00	\$530.00	\$655.00	

Add \$45.00 per tower for LED lighting \$ _____

SUBTOTAX \$ _____

8.75% SALES TAX \$ _____

TOTAL DUE \$ _____

COMPANY NAME _____

BOOTH NUMBER _____

BOOTH SIZE _____

ONLINE ORDERING
 AVAILABLE
 VISIT AMERICANFIXTURE.COM

ORDERS AND BOOTH LAYOUT DUE BY JUNE 12, 2026

American Fixture & Display Corp.

Phone: (718) 463-2176 • Fax: (718) 463-4302

Email: orders@americanfixture.com • Web: americanfixture.com

Please complete company name, credit card information and booth layout located on the final pages. This is required to process your order.

Please note that we do not offer refunds or exchanges once items have been reserved or delivered.

Please note: Telephone orders not accepted.

CASES ARE RENTED FOR DISPLAY PURPOSES ONLY AND WE DO NOT WARRANT THE SAFETY OR SECURITY THEREOF. WE ARE NOT LIABLE FOR CONTENTS, DAMAGE OR BREAKAGE AFTER CASES HAVE BEEN DELIVERED.

Museum Pedestal



CHOICES:

- WHITE: Aluminum frame with matte white formica exterior
- DELUXE: Brushed gold frame with glossy black formica exterior
- BEIGE: Brushed gold frame with beige formica exterior

FEATURES:

- Halogen lighting
- LED lighting available for an additional \$60 per museum pedestal
- 8" canopy
- Glass doors with lock
- Storage area with lock
- 30" wide x 20" deep x 70" high
- 30" wide x 20" deep x 20" high glass display area

STYLE	QUANTITY	ADVANCED PRICE	PRICE FOR ORDERS RECEIVED AFTER 06/12/2026	SHOW SITE PRICE	TOTAL
White		\$510.00	\$585.00	\$710.00	
Deluxe		\$510.00	\$585.00	\$710.00	
Beige		\$510.00	\$585.00	\$710.00	

Add \$60.00 per museum pedestal for LED lighting \$ _____

SUBTOTAL \$ _____

8.75% SALES TAX \$ _____

TOTAL DUE \$ _____

ONLINE ORDERING AVAILABLE
 VISIT AMERICANFIXTURE.COM

COMPANY NAME _____

BOOTH NUMBER _____

BOOTH SIZE _____

ORDERS AND BOOTH LAYOUT DUE BY JUNE 12, 2026

American Fixture & Display Corp.

Phone: (718) 463-2176 • Fax: (718) 463-4302

Email: orders@americanfixture.com • Web: americanfixture.com

Please complete company name, credit card information and booth layout located on the final pages. This is required to process your order.

Please note that we do not offer refunds or exchanges once items have been reserved or delivered.

Please note: Telephone orders not accepted.

CASES ARE RENTED FOR DISPLAY PURPOSES ONLY AND WE DO NOT WARRANT THE SAFETY OR SECURITY THEREOF. WE ARE NOT LIABLE FOR CONTENTS, DAMAGE OR BREAKAGE AFTER CASES HAVE BEEN DELIVERED.

Boutique Case



CHOICES:

- DESIGNER: Aluminum frame with textured gray formica exterior
- DELUXE: Brushed gold frame with glossy black formica exterior

FEATURES:

- Fluorescent lighting
- LED lighting available for an additional \$60 per boutique case
- 5" canopy
- Solid back or glass back
- 3 rows of adjustable glass shelves
- Glass doors with lock
- Storage area with lock
- 48" wide x 13" deep x 76" high
- 48" wide x 13" deep x 44" high glass display area

STYLE	QUANTITY		ADVANCED PRICE	PRICE FOR ORDERS RECEIVED AFTER 06/12/2026	SHOW SITE PRICE	TOTAL
	WALL CASE	SEE-THRU				
Designer			\$540.00	\$615.00	\$740.00	
Deluxe			\$540.00	\$615.00	\$740.00	

Add \$60.00 per boutique case for LED lighting \$ _____

SUBTOTAL \$ _____

8.75% SALES TAX \$ _____

TOTAL DUE \$ _____

ONLINE ORDERING AVAILABLE
 VISIT AMERICANFIXTURE.COM

COMPANY NAME _____

BOOTH NUMBER _____

BOOTH SIZE _____

ORDERS AND BOOTH LAYOUT DUE BY JUNE 12, 2026

American Fixture & Display Corp.

Phone: (718) 463-2176 • Fax: (718) 463-4302

Email: orders@americanfixture.com • Web: americanfixture.com

Please complete company name, credit card information and booth layout located on the final pages. This is required to process your order.

Please note that we do not offer refunds or exchanges once items have been reserved or delivered.

Please note: Telephone orders not accepted.

CASES ARE RENTED FOR DISPLAY PURPOSES ONLY AND WE DO NOT WARRANT THE SAFETY OR SECURITY THEREOF. WE ARE NOT LIABLE FOR CONTENTS, DAMAGE OR BREAKAGE AFTER CASES HAVE BEEN DELIVERED.

Wall Case & See-Thru



WALL CASE

- White formica exterior
- Fluorescent lights
- LED top lighting available for an additional \$95 per wall case
- 70" wide x 18" deep x 84" high
- Glass sliding doors

SEE-THRU WALL CASE

- White formica exterior
- Fluorescent lights
- LED top lighting available for an additional \$95 per see-thru
- 70" wide x 19" deep x 80" high
- Glass sliding doors



STYLE	QUANTITY			COLOR		ADVANCED PRICE	PRICE FOR ORDERS RECEIVED AFTER 06/12/2026	SHOW SITE PRICE	TOTAL
	4'	5'	6'	WHITE	BLACK (6' Only)				
WALL CASE						\$565.00	\$640.00	\$765.00	
SEE-THRU WALL CASE	X	X				\$585.00	\$640.00	\$785.00	

Add \$95.00 per case for LED lighting \$ _____

SUBTOTAL \$ _____

8.75% SALES TAX \$ _____

AMOUNT ENCLOSED \$ _____

COMPANY NAME _____

BOOTH NUMBER _____

BOOTH SIZE _____

ONLINE ORDERING AVAILABLE
 VISIT AMERICANFIXTURE.COM

ORDERS AND BOOTH LAYOUT DUE BY JUNE 12, 2026

American Fixture & Display Corp.

Phone: (718) 463-2176 • Fax: (718) 463-4302

Email: orders@americanfixture.com • Web: americanfixture.com

Please complete company name, credit card information and booth layout located on the final pages. This is required to process your order.

Please note that we do not offer refunds or exchanges once items have been reserved or delivered.

Please note: Telephone orders not accepted.

CASES ARE RENTED FOR DISPLAY PURPOSES ONLY AND WE DO NOT WARRANT THE SAFETY OR SECURITY THEREOF. WE ARE NOT LIABLE FOR CONTENTS, DAMAGE OR BREAKAGE AFTER CASES HAVE BEEN DELIVERED.

Classic Case Line



V1 SHOWN HERE



V3 SHOWN HERE



V5 SHOWN HERE



V6 SHOWN HERE

TYPE	QUANTITY SILVER ANODIZED W/HALOGEN LIGHTS	PRICE*	LED LIGHTING				MR16 SIDE LIGHTS (\$50 PER CASE)		EXTRA SHELVES (\$10 PER CASE)	TOTAL	
			TOP ONLY \$45 PER CASE	TOP & SIDE LIGHTS \$130 PER CASE		GLASS SIDE	DOOR SIDE	GLASS SIDE			DOOR SIDE
				GLASS SIDE	DOOR SIDE						
V1		\$575.00									
V3		\$575.00									
V5		\$600.00									
V6		\$575.00									

*Add \$75 per case for all orders placed after JUNE 12, 2026; add \$125 for all orders placed at Show Site

** SEE NEXT PAGE FOR MORE DETAILS**

SUBTOTAL \$ _____

*LATE FEE (if applicable) \$ _____

8.75% SALES TAX \$ _____

TOTAL DUE \$ _____

COMPANY NAME _____

BOOTH NUMBER _____

BOOTH SIZE _____



ORDERS AND BOOTH LAYOUT DUE BY JUNE 12, 2026

American Fixture & Display Corp.

Phone: (718) 463-2176 • Fax: (718) 463-4302

Email: orders@americanfixture.com • Web: americanfixture.com

Classic Case Shelf Placement

V1

(interior height 65")

(pre-set to 17")
Change to _____ " {

(pre-set to 16")
Change to _____ " {

(pre-set to 16")
Change to _____ " {

(pre-set to 16")
Change to _____ " {



V3

(interior height 52")

(pre-set to 16 1/2")
Change to _____ " {

(pre-set to 17 1/2")
Change to _____ " {

(pre-set to 18")
Change to _____ " {



V5

(interior height 67")

(pre-set to 16 3/4")
Change to _____ " {

(pre-set to 16 3/4")
Change to _____ " {

(pre-set to 16 3/4")
Change to _____ " {

(pre-set to 16 3/4")
Change to _____ " {



V6

(interior height 67")

(pre-set to 17")
Change to _____ " {

(pre-set to 16 1/2")
Change to _____ " {

(pre-set to 16 1/2")
Change to _____ " {

(pre-set to 17")
Change to _____ " {

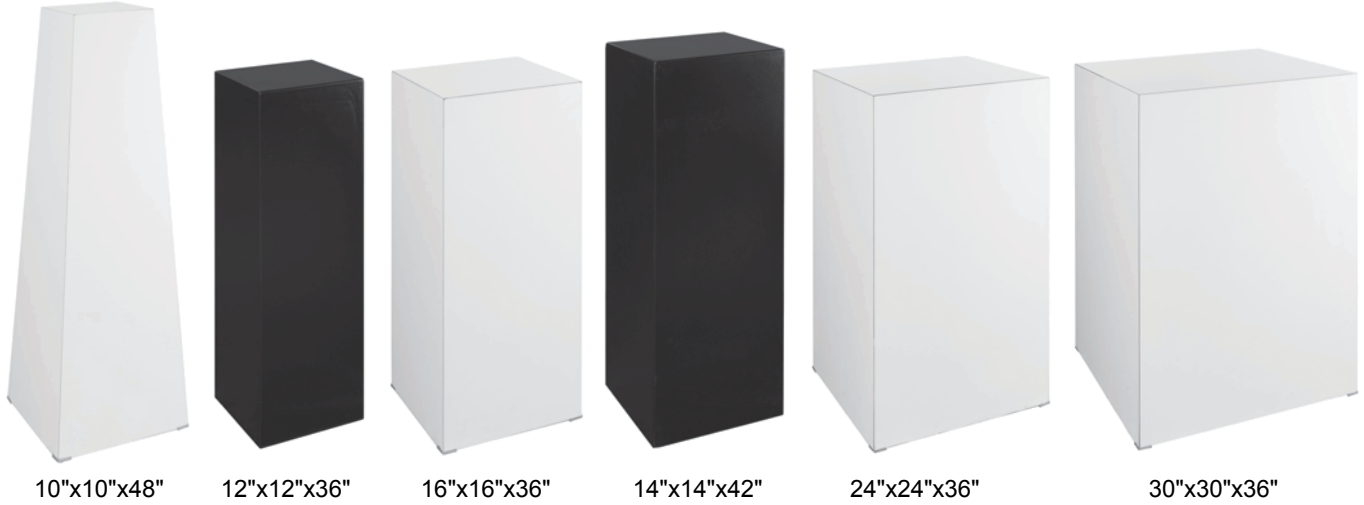


Each of the glass shelves on the Classic Cases is adjustable. The shelf rests are **preset** at our warehouse at the approximate intervals shown above.

If you would like us to alter the spacing of your shelves, please indicate your requirements above and submit this form along with your order **no later than ten (10) days prior to the start of the show**.

Please understand that due to time constraints during show set up, we are unable to make changes on-site.

Pedestals



(images not to scale; for reference only)

SIZE	WHITE	BLACK	PRICE	TOTAL
10"x10"x48"			\$250.00	
12"x12"x36"	 	 	\$250.00	
12"x12"x42"		 	\$250.00	
14"x14"x42"	 	 	\$250.00	
16"x16"x36"			\$250.00	
16"x16"x42"			\$250.00	
18"x18"x42"		 	\$250.00	
24"x24"x36"		 	\$250.00	
24"x24"x42"		 	\$250.00	
30"x30"x36"		 	\$250.00	
30"x30"x42"		 	\$250.00	

SUBTOTAL \$ _____

**LATE FEE \$75.00 PER
 PEDESTAL AFTER
 06/12/2026**

8.75% SALES TAX \$ _____

AMOUNT ENCLOSED \$ _____

**ONLINE ORDERING
 AVAILABLE
 VISIT AMERICANFIXTURE.COM**

COMPANY NAME _____

BOOTH NUMBER _____

ORDERS AND BOOTH LAYOUT DUE BY JUNE 12, 2026

American Fixture & Display Corp.

Phone: (718) 463-2176 • Fax: (718) 463-4302

Email: orders@americanfixture.com • Web: americanfixture.com

Please complete company name, credit card information and booth layout located on the final pages. This is required to process your order.

Please note that we do not offer refunds or exchanges once items have been reserved or delivered.

Please note: Telephone orders not accepted.

CASES ARE RENTED FOR DISPLAY PURPOSES ONLY AND WE DO NOT WARRANT THE SAFETY OR SECURITY THEREOF. WE ARE NOT LIABLE FOR CONTENTS, DAMAGE OR BREAKAGE AFTER CASES HAVE BEEN DELIVERED.

Pad Information



Dark Grey



Peanut Vienna

PAD FEATURES:

- Color option available in Beige or Black
- Fabric type - Leatherette
- Specifications - 5/16" thickness

STYLE	QUANTITY			PRICING	TOTAL
	STANDARD	DESIGNER / DELUXE / ELITE	ULTRA		
4 FOOT				\$115.00	
5 FOOT				\$115.00	
6 FOOT				\$115.00	
34" CORNER				\$125.00	
42" CORNER				\$125.00	
48" CORNER				\$125.00	

STYLE	QUANTITY	PRICING	TOTAL
ACCENT CUBE		\$100.00	
TOWER		\$100.00	
MUSEUM PEDESTAL		\$100.00	
BOUTIQUE CASE		\$100.00	

PAD COLOR - BEIGE / BLACK
 (Circle the color of your choice)

SUBTOTAL \$ _____

8.75% SALES TAX \$ _____

TOTAL DUE \$ _____



COMPANY NAME _____

BOOTH NUMBER _____

BOOTH SIZE _____

ORDERS DUE BY JUNE 05, 2026

American Fixture & Display Corp.

Phone: (718) 463-2176 • Fax: (718) 463-4302

Email: orders@americanfixture.com • Web: americanfixture.com

Please complete company name, credit card information and booth layout located on the final pages. This is required to process your order.

Please note that we do not offer refunds or exchanges once items have been reserved or delivered.

Please note: Telephone orders not accepted.

CASES ARE RENTED FOR DISPLAY PURPOSES ONLY AND WE DO NOT WARRANT THE SAFETY OR SECURITY THEREOF. WE ARE NOT LIABLE FOR CONTENTS, DAMAGE OR BREAKAGE AFTER CASES HAVE BEEN DELIVERED.



Please complete company name, credit card information and booth layout located on the final pages. This is required to process your order.

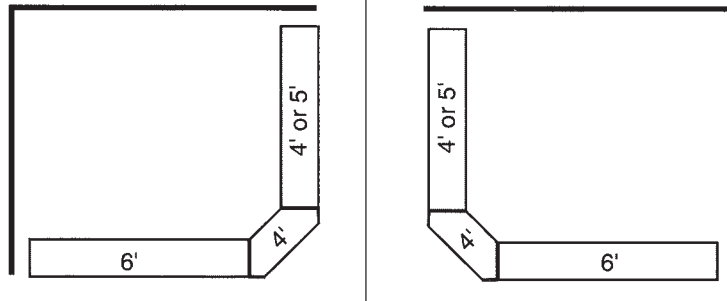
Please note that we do not offer refunds or exchanges once items have been reserved or delivered.

Please note: Telephone orders not accepted.

CASES ARE RENTED FOR DISPLAY PURPOSES ONLY AND WE DO NOT WARRANT THE SAFETY OR SECURITY THEREOF. WE ARE NOT LIABLE FOR CONTENTS, DAMAGE OR BREAKAGE AFTER CASES HAVE BEEN DELIVERED.

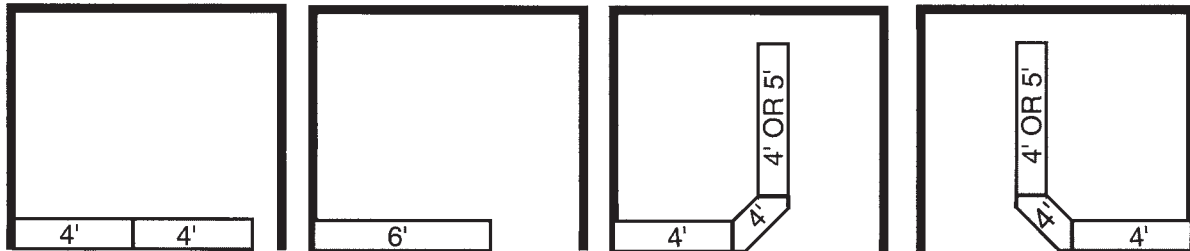
Sample Layouts

10 FOOT X 10 FOOT CORNER BOOTHS

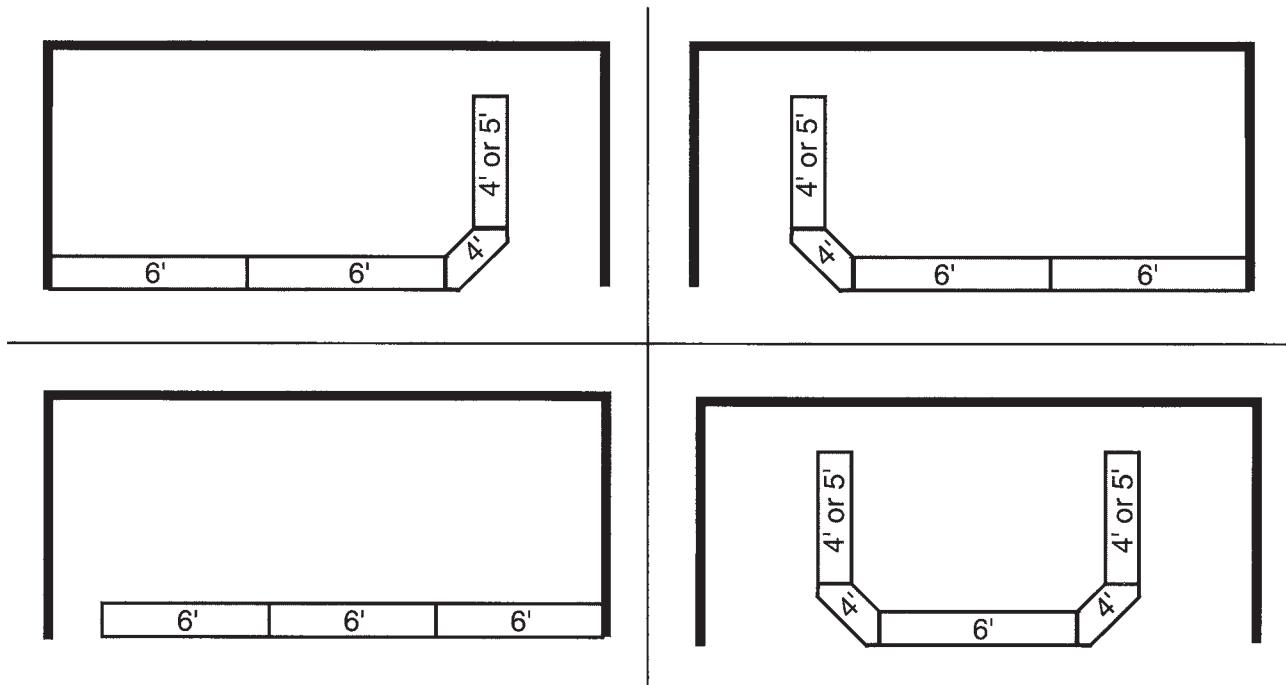


***Please Note:**
If you place your order on our online portal, you can draft your layout using our interactive layout feature.*

10 FOOT X 10 FOOT SINGLE BOOTHS



10 FOOT X 20 FOOT DOUBLE BOOTHS



Please complete company name, credit card information and booth layout located on the final pages. This is required to process your order.
Please note that we do not offer refunds or exchanges once items have been reserved or delivered.

Please note: Telephone orders not accepted.

CASES ARE RENTED FOR DISPLAY PURPOSES ONLY AND WE DO NOT WARRANT THE SAFETY OR SECURITY THEREOF. WE ARE NOT LIABLE FOR CONTENTS, DAMAGE OR BREAKAGE AFTER CASES HAVE BEEN DELIVERED.

ELECTRICAL INFORMATION NON-LED LIGHTING

Standard White (Fluorescent)

4'	25 Watts
5'	30 Watts
6'	40 Watts
34" Corner	20 Watts

Designer & Deluxe (Fluorescent)

4'	25 Watts
5'	30 Watts
6'	40 Watts
34" Corner	20 Watts
42" Corner	30 Watts

Designer & Elite (Halogen)

4'	100 Watts
5'	120 Watts
6'	140 Watts
34" Corner	80 Watts
42" Corner	100 Watts

Tower (Halogen)

200 Watts

Museum Pedestal (Halogen)

300 Watts

Accent Cube (Halogen)

White & Designer	150 Watts
Deluxe & Elite	140 Watts

Boutique Case (Fluorescent)

84 Watts

ELECTRICAL INFORMATION

LED LIGHTING

Standard Case – White

4'	33 Watts
5'	42 Watts
6'	49 Watts
34" Corner	26 Watts

Deluxe & Designer Case

4'	42 Watts
5'	48 Watts
6'	54 Watts
34" Corner	36 Watts
42" Corner	42 Watts

Elite Case

4'	12 Watts
5'	15 Watts
6'	17 Watts
34" Corner	9 Watts
42" Corner	12 Watts

Ultra Case – 6000K

4'	42 Watts
5'	48 Watts
6'	54 Watts
34" Corner	36 Watts
48" Corner	90 Watts

Ultra Case – 3000K

4'	12 Watts
5'	15 Watts
6'	17 Watts
34" Corner	9 Watts
48" Corner	16 Watts

Tower

100 Watts

Museum Pedestal

36 Watts

Accent Cube

24 Watts

Boutique

84 Watts

PAYMENT AUTHORIZATION FORM

Please complete the following information and submit it along with your showcase selections and booth layout diagram (previous page).

CONTACT INFORMATION

COMPANY NAME: _____

ADDRESS: _____

CITY, STATE, ZIP CODE: _____

POINT OF CONTACT NAME: _____

EMAIL ADDRESS: _____

PHONE: _____ FAX: _____

BOOTH NO(S): _____

PAYMENT INFORMATION

DISCOVER / AMEX / VISA / MC #: _____ EXP DATE: _____

NAME ON CARD: _____ SEC CODE: _____

SIGNATURE: _____ DATE: _____

Orders will not be processed without payment after deadline.

A 3.5% fee will be applied to all Credit Card transactions.

This fee does not apply to wire transfer or ACH payments.

If for any reason the submitted Credit Card or Check is declined or returned, a \$25.00 processing fee will be automatically added to the invoice.

Late Fees of up to 1.5% will be applied to any balance not paid at the conclusion of the event.

Cancellation Policy:

Please note that all orders are non-refundable. American Fixture reserves the right to charge the full rental price on any orders canceled after the deadline date, or on any rentals that have already been delivered to the event location, regardless of whether the event takes place. No refunds or credits will be issued.

I acknowledge and agree to the payment policies and terms & conditions of this rental.

SIGNATURE: _____ DATE: _____

TERMS AND CONDITIONS OF RENTAL

American Fixture & Display Corp. and Delaware, Inc. (together, the "Company") is the owner of all displays (the "Rental Property"). The Company shall not be liable for any failure to deliver the Rental Property or delays occasioned by causes beyond its reasonable control, including, but not limited to, strikes, lockouts, fires, flood, hurricanes, war, acts of God, acts of terrorism, labor disputes, pandemics, epidemics, viruses, or delays or interruption of carriers.

The Company shall have the right to charge the full rental price of the Rental Property to the customer ("Lessee") on any orders (i) canceled after the deadline date; or (ii) that have been delivered to the location of the rental, regardless of whether the event takes place.

Glass shelves must be properly installed by Lessee and not overloaded with merchandise. To avoid breaking of shelves, personal injury and damage to merchandise, Lessee must use reasonable discretion in the amount of weight placed on the glass shelves. Installation and loading of the glass shelves is beyond the Company's control and the Company shall not be responsible for broken glass, damage of merchandise or personal injury related thereto. Lessee shall not make any alterations, additions, repairs, replacements, improvements or modifications to the Rental Property without the Company's prior written consent.

Lessee assumes and shall bear the full risk of loss, theft, damage or destruction of the Rental Property from any and every cause whatsoever during the rental term and until such Rental Property is returned to the Company. Lessee shall inspect the Rental Property and shall immediately notify the Company of any damage. If Lessee fails to notify the Company of any such damage at the time of delivery, it shall be conclusively presumed that Lessee has fully inspected and acknowledged that the Rental Property is in good condition and repair and that Lessee is satisfied with and has accepted the Rental Property in such good condition and repair. In the event of any damage to the Rental Property, excluding normal wear and tear excepted, Lessee shall pay to the Company, on demand, the full cost of repair or replacement of such damaged Rental Property. Lessee agrees and acknowledges that Lessee is subject to additional charges if Lessee fails to return the Rental Property to the Company or fails to make the Rental Property available to the Company for pick-up at the time and date mutually agreed to by both parties.

The Rental Property is rented for display purposes only and the Company does not warrant the safety or security thereof. The Rental Property shall at all times be under the exclusive possession, use and control of Lessee. Lessee shall use the Rental Property in a careful and proper manner and in the manner for which such Rental Property was designed and intended. Company shall not be liable for contents, damage or breakage after the Rental Property has been delivered.

To the maximum extent permitted by law, Lessee shall indemnify, defend and hold harmless Company and its officers, directors, stockholders, employees, agents, representatives, successors and assigns from and against any and all liabilities, suits, claims, demands (whether or not groundless, false, or fraudulent), actions, costs, damages, losses, judgments, awards, fines, penalties, costs and expenses (including but not limited to reasonable attorneys' fees) arising out of, in connection with or resulting directly or indirectly from this agreement or the lease, possession, use, modification, alteration or operation by Lessee or any affiliate of Lessee of any of the Rental Property.

To the maximum extent permitted by law, in no event shall the Company's total liability arising out of or related to this agreement or otherwise, whether based upon warranty, contract, tort, strict liability or otherwise, exceed the fees paid by the Lessee to the Company pursuant to this agreement. In no event shall the Company be liable to Lessee or any third party for indirect, special, incidental, consequential, collateral, multiple, exemplary or punitive damages, or for any lost profits, loss of use or business interruption, arising out of or in connection with this agreement or the Rental Property, even if the Company shall have been advised of or is aware of the possibility of such damages or loss.

This agreement and the rental of the Rental Property shall be governed by the laws of the State of New York, without giving effect to its conflict of law provisions. The Company and Lessee irrevocably agree that the state courts located in Nassau County (or, if the state courts located in Nassau County decline to accept jurisdiction over a particular matter, the United States District Court for the Eastern District of New York) shall have exclusive jurisdiction to settle any disputes which may arise out of in connection with this agreement and the rental of the Rental Property.

By paying the invoice and receiving the Rental Property, Lessee has acknowledged and agreed to these terms and conditions.